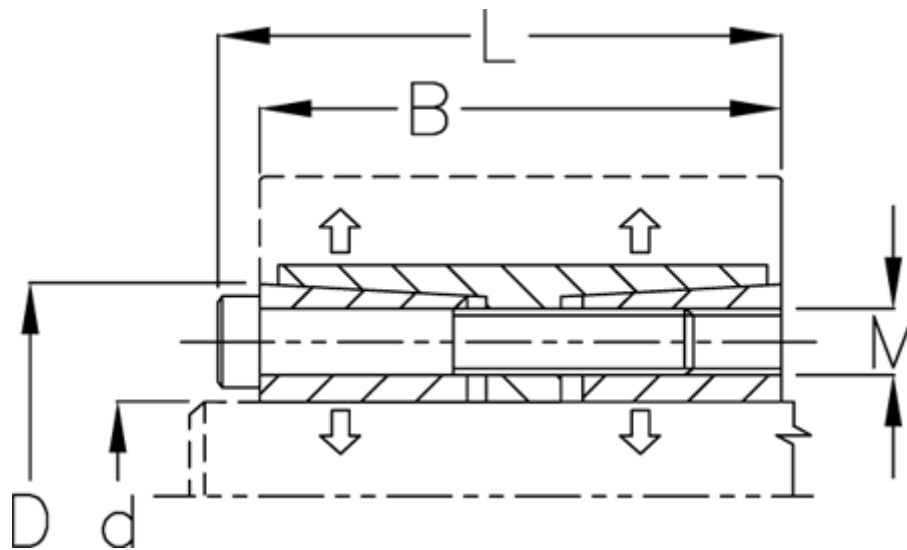


Article number: 439700260

Description: Rota-fix shaft-hub connection FL260x375

Note: Self centering - very high torque

Measures



B mm	= 238
d H8 mm	= 260
D mm	= 375
Fit tolerance	= Aksel h8, Nav H8
F kN torque	= 3700.0
L mm	= 262
M mm	= M24
P N/mm ² surface pressure on shaft/hub	= 133

Surface roughness	= R? ? 3.2 µm
T N m torque	= 481000
Ts N m bolt tightening torque	= 1200.0